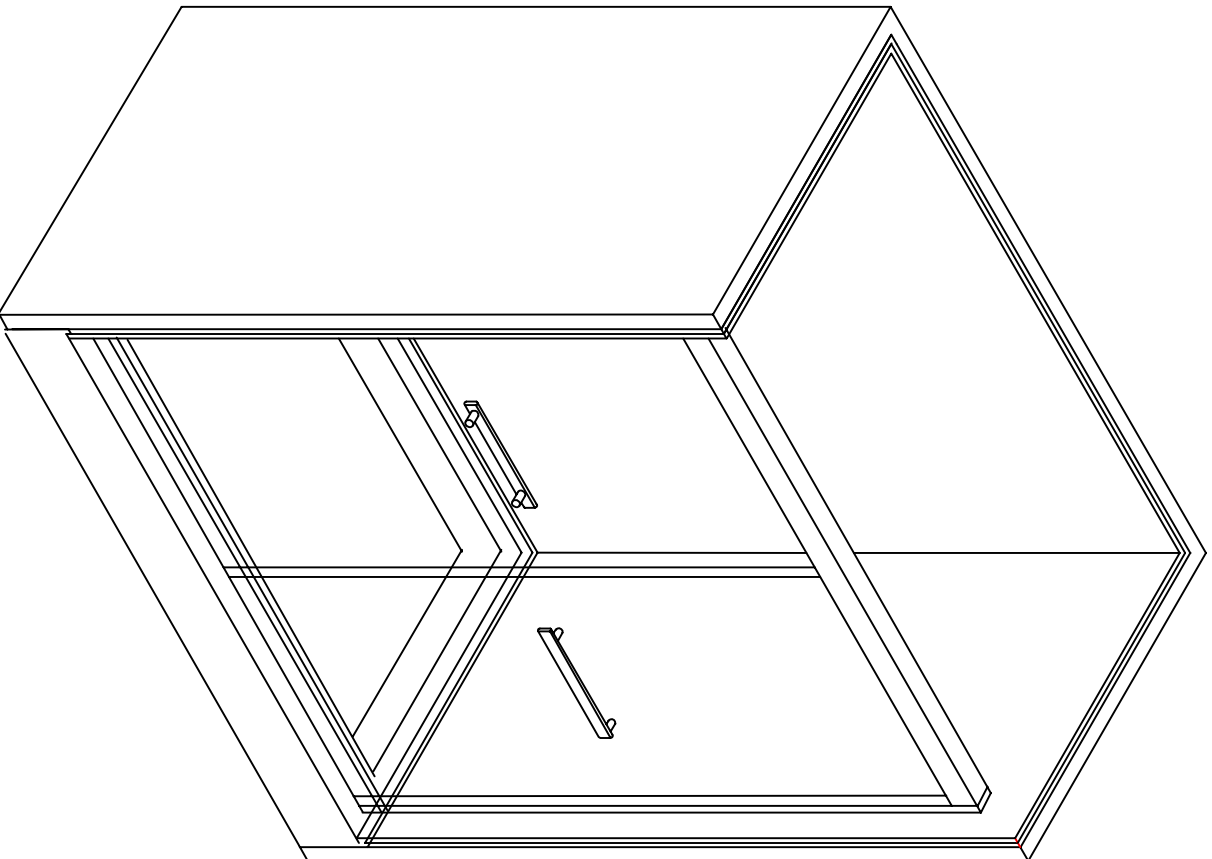


SHOWER ENCLOSURE ASSEMBLY INSTRUCTIONS



Important Notes:

Thank you for buying our shower room!

Please read through the instructions carefully before installation.

After opening the package, check all necessary parts are included. If there are any missing parts for the unit please contact our sale agent.

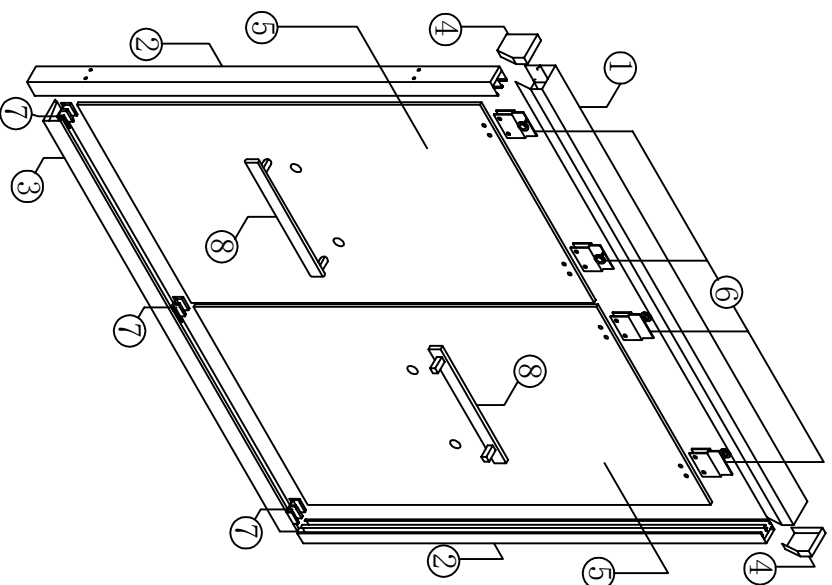
Please note that the glass doors are fragile. Exercise caution at all times in order to prevent chipping or cracking the glass. The glass should be placed slightly tilted vertical to the wall and the bottom edges of the glass should be protected by soft mat.

Please note that this is a 2 person installation.

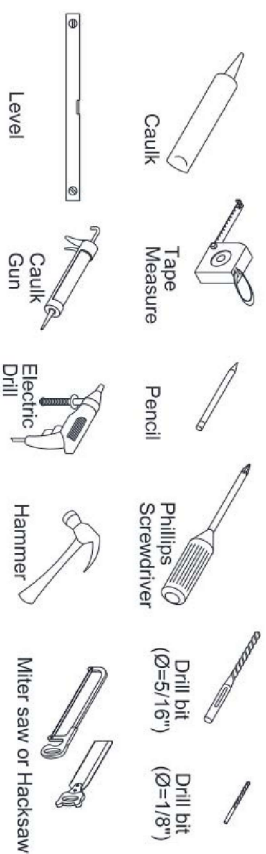
Preparation:

1. Check all necessary parts are included by looking at the "Detailed Diagram of Shower Door Components" shown below. If there are any missing parts for the unit please contact us at (604)-638-9638.
2. Consult your local building codes on questions on installation compliance standards. Building and plumbing codes vary by location, and Home Idol is not responsible for code compliance standards for your project
3. This unit must be installed against finished floors and walls. The surface area must be at a solid proper level. This door does not have out-of-plumb adjustment so make sure that your walls are at the correct angles. Problems will occur if installation requirements are not met.
4. This door has only 1/2" out-of-plumb adjustment. Make sure your walls are as close to being plumb.

Detailed Diagram of Shower Door Components



Tools Required



Packing List

01	Upper Guide Rail	1pcs	06	Roller	4pcs
02	Wall Profile	2pcs	07	Guide block	3pcs
03	Bottom Guide Rail	1pcs	08	Handle	2pcs
04	Decorative Cover	2pcs	09	Robber Stopper	8pcs
05	Glass Door	2pcs			

Shower Door Installation

STEP 1

Measure the distance between two finished walls. This distance is marked as "W".

See Fig. 1 for details.

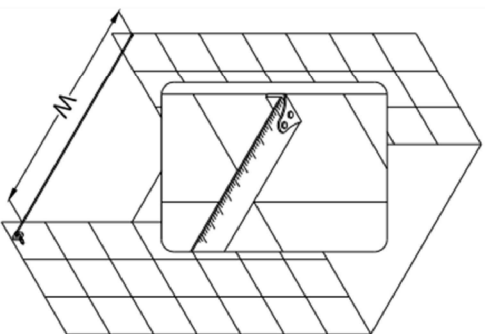


Fig. 1

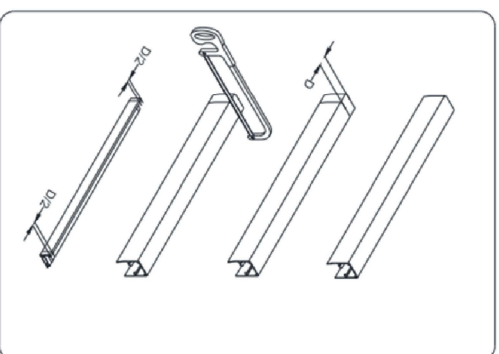


Fig. 2

STEP 2

The **Upper guide rail (01)** and the **Bottom guide rail (03)** has been pre-cut for the installation between the walls with a distance of:

- a) 48" (1200mm)
If "W" is 48", then it is unnecessary to cut the Guide rails and you can continue to Step 3.
If "W" is smaller than 48", you will need to cut **Upper guide rail (01)** from one end. The cutting length will be $D = 48" - W$. **Bottom guide rail (03)** from both ends. The cutting length will be $D/2$.
- b) 60" (1500mm)
If "W" is 60", then it is unnecessary to cut the Guide rails and you can continue to Step 3.
If "W" is smaller than 60", you will need to cut **Upper guide rail (01)** from one end. The cutting length will be $D = 60" - W$. **Bottom guide rail (03)** from both ends. The cutting length will be $D/2$.

See Fig. 2 for details.

STEP 3

Secure **Bottom guide rail** to the designated position, then put the two **Wall profiles(02)** against the walls.

See Fig. 3 for details.

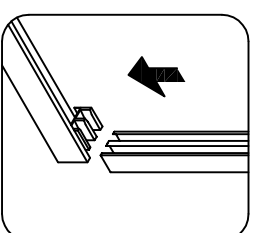


Fig. 3

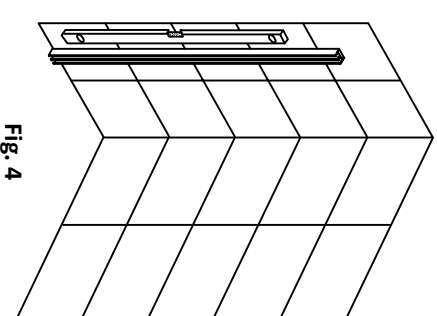


Fig. 4

STEP 4

Use the Level to adjust the Wall profiles to be in the vertical position. Keep them in the right position. Then mark the drill holes on the wall through the holes on the Wall profiles.

See Fig. 4 for details.

STEP 5

Put the Profiles unit aside. Drill the holes and insert the **Wall anchors**. Then screw the **Rubber stopper(09)** inside the groove of the **Wall profiles**.

See Fig. 5 for details.

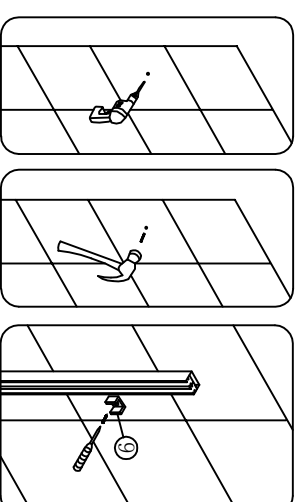


Fig. 5

STEP 6

Put the **Decorative Cover** to the **Upper guide rail (01)**. Then Secure **Upper guide rail (01)** to the **Wall profile**.

See Fig. 6 for details.

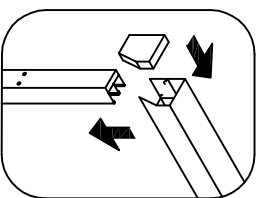


Fig. 6

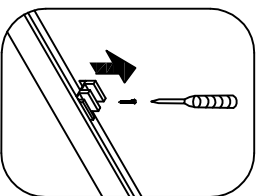


Fig. 7

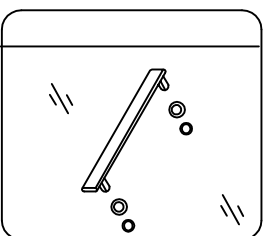


Fig. 8

STEP 7

Remove the middle **Guide Block(07)** in the **Bottom guide rail**.

See Fig. 7 for details.

STEP 8

Secure the **Rollers** to the top of the **Glass door**. Mind the position of the rollers. Then secure the **Handles** to the holes in **Glass door**.

See Fig. 8 for details.

STEP 9

One by one suspend both **Glass doors** onto the **Upper guide rail** as shown on (Fig.9). Tilt the **Glass door (A)** a little to make the glass slide into the channel of guide rail. Suspend the **Glass door (B)** to the guide rail the same way.

See Fig. 9 for details

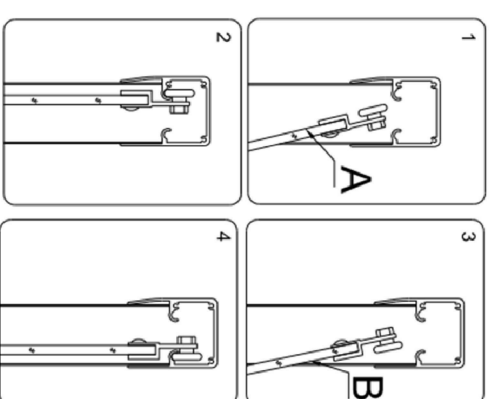


Fig. 9

STEP 10

Slide both Glass Doors to one side. Insert the middle **Guide block** onto the **Bottom guide rail**.

See Fig. 10 for details.

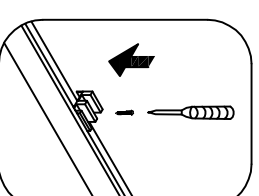


Fig. 10

STEP 11

Do the final adjustment of the assembled unit in the **Wall profiles**. Drill the holes in the **Wall profiles** through the predrilled holes on the **Upper guide rail**.
(ATTN : Make sure not to drill the holes throughout; only the first layer of the wall profile.)

See Fig. 11 for details.

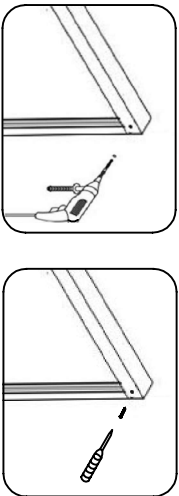


Fig. 11

STEP 12

Apply the sealant along the profiles and guide rails; on the seams between the bottom guide rail and the profiles as well as along the shower base or threshold.

See Fig. 12 for details.

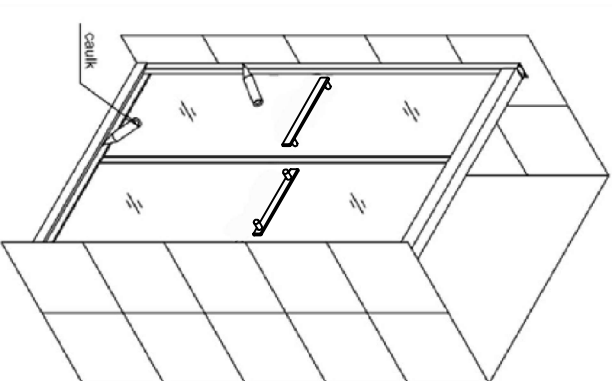


Fig. 12



24 HOURS